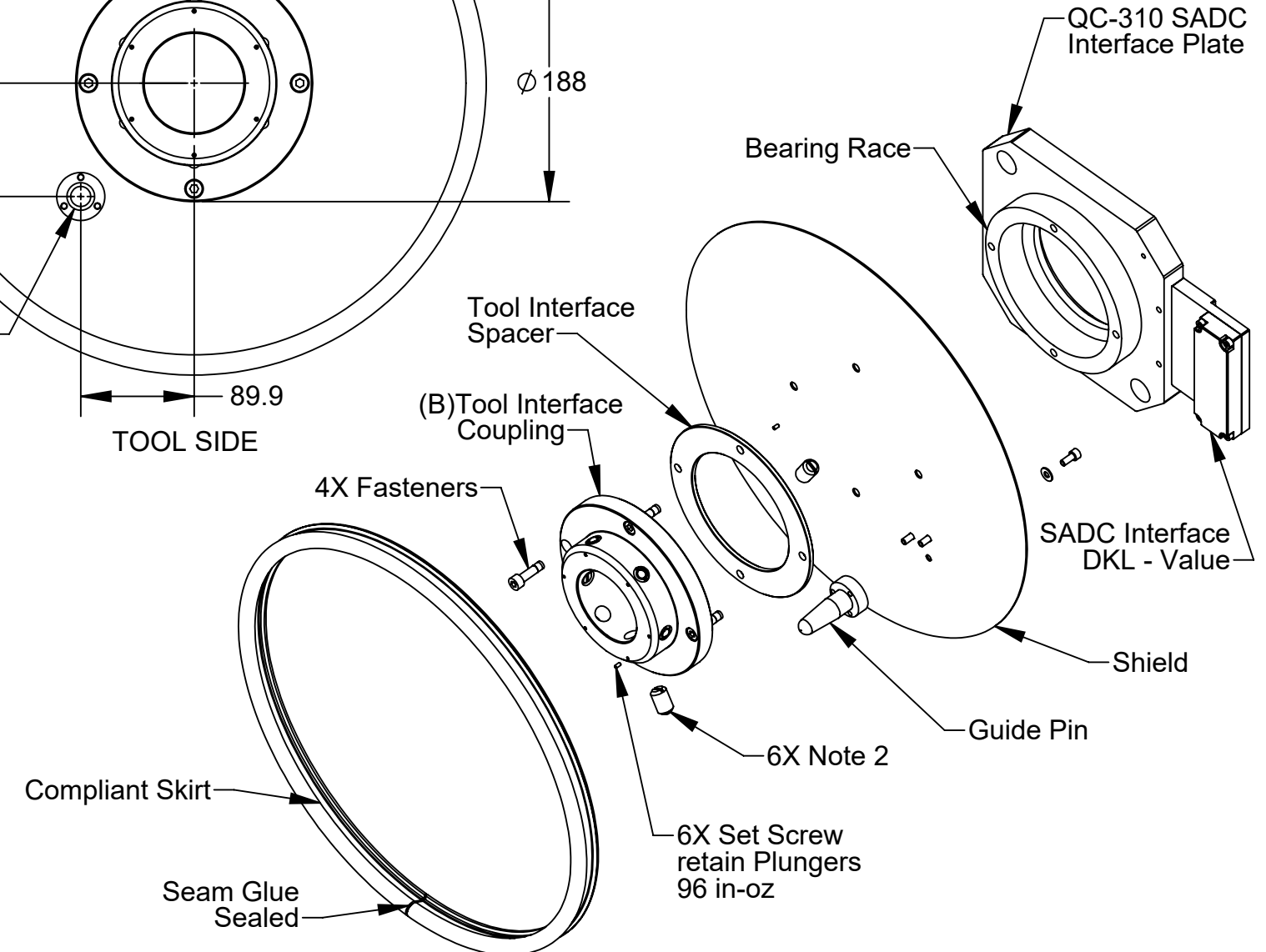
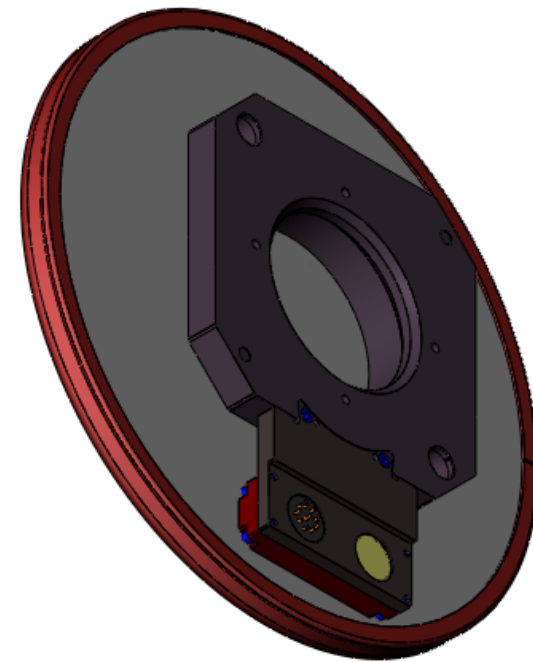
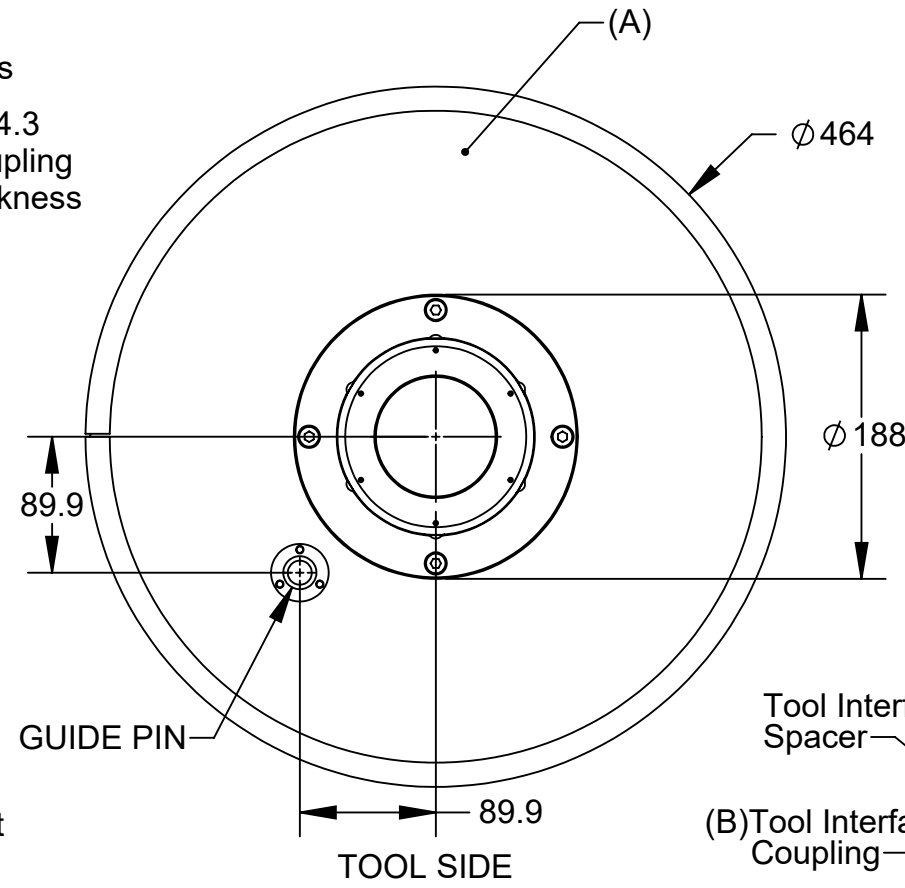
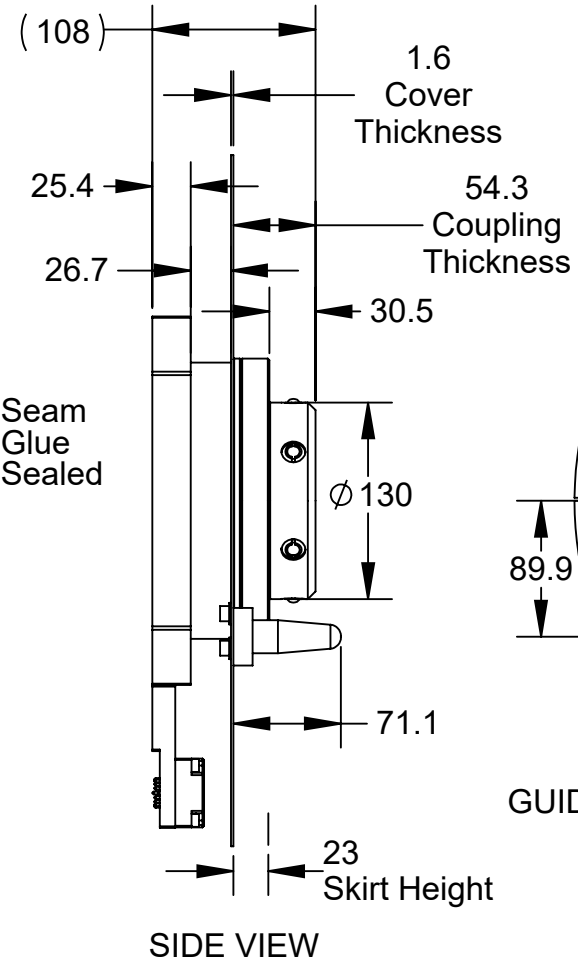
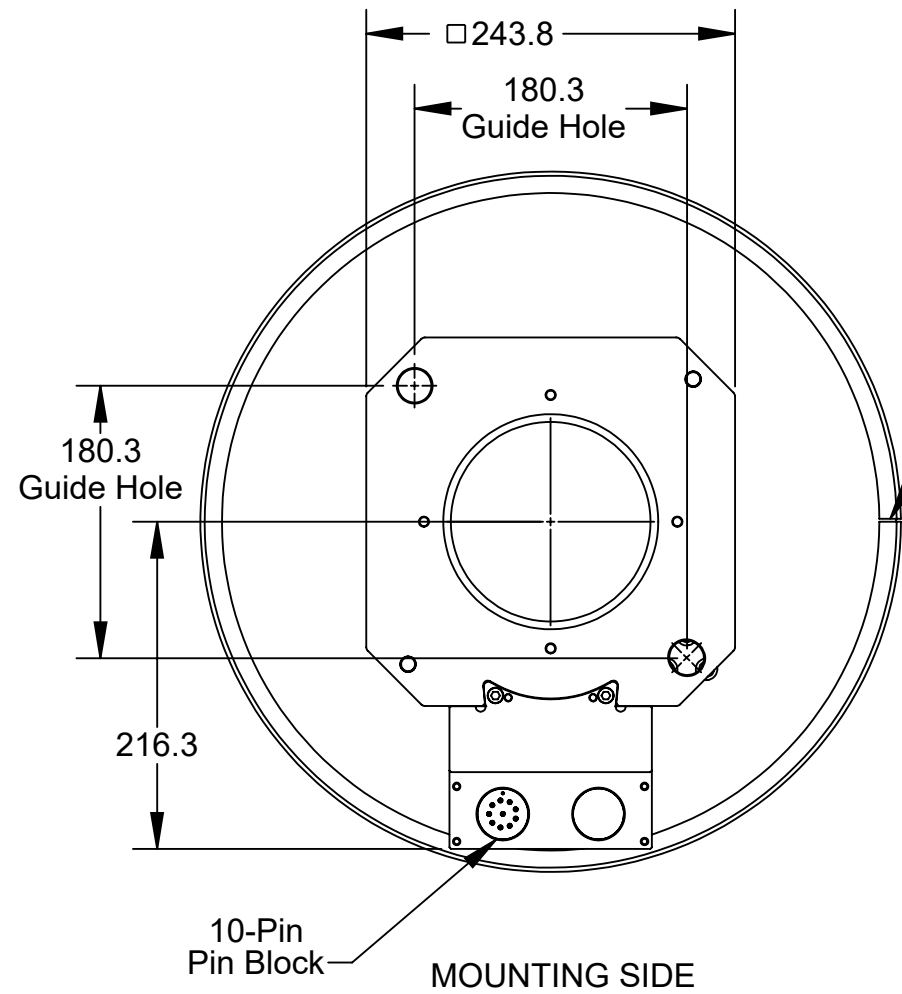


REV.	DESCRIPTION	INITIATOR	DATE
01	INITIAL RELEASE	PDL	8/31/2021

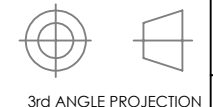


Part Numbers:
 (A) Complete tool cover: 9120-DC-300-14
 (B) 300 Series Tool Interface Coupling: 3700-20-8847

- Notes:
- Materials of Construction:
 - Master Interface Race, Aluminum
 - Cover, Thin Gauge Stainless
 - Tool Interface Coupling, Aluminum
 - Skirt, EPDM Rubber w/ Retention Clips
 - Ball-Nose Plungers, Stainless Steel Ball Tip and Case.
 - Set Screws, M3-0.5 x 6 mm, Flatpoint, Steel.
 - Bearing Race Spacer, Delrin
 - Interface Coupling Spacer, Delrin
 - Fasteners, Zinc Plated Steel
 - Ball Plungers require lubrication. Mobilgrease XHP-222 Special.
 - Flexibility to interchange cover sizes and replace worn parts.

NOTES: UNLESS OTHERWISE SPECIFIED.

DO NOT SCALE DRAWING. ALL DIMENSIONS ARE IN MILLIMETERS.



1031 Goodworth Drive, Apex, NC 27539, USA
 Tel: +1.919.772.0115 www.ati-ia.com
 Fax: +1.919.772.8259 ISO 9001 Registered Company

PROPERTY OF ATI INDUSTRIAL AUTOMATION, INC. NOT TO BE REPRODUCED IN ANY MANNER EXCEPT ON ORDER OR WITH PRIOR WRITTEN AUTHORIZATION OF ATI.

DRAWN BY: P.Luczka, 9/22/21		TITLE	
CHECKED BY: D. Norton, 9/14/21		QC-310 Stand Alone Dust Cover, 457mm Shield, Integrated QC-310T Features, Pin Blocks for DKL with Dual Double Valve	
PROJECT # 190730-1	SHEET 1 OF 1	SCALE	REVISION
		1:5	01
		SIZE	DRAWING NUMBER
		B	9230-20-8207